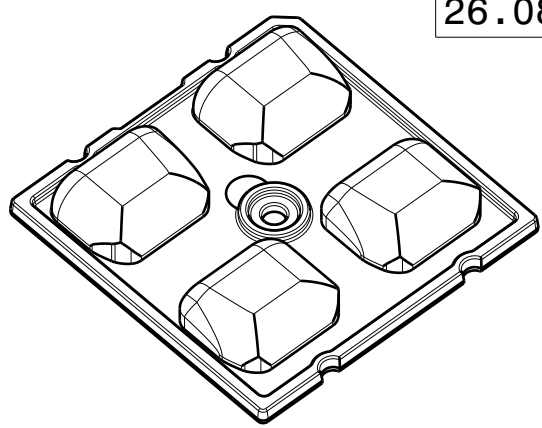
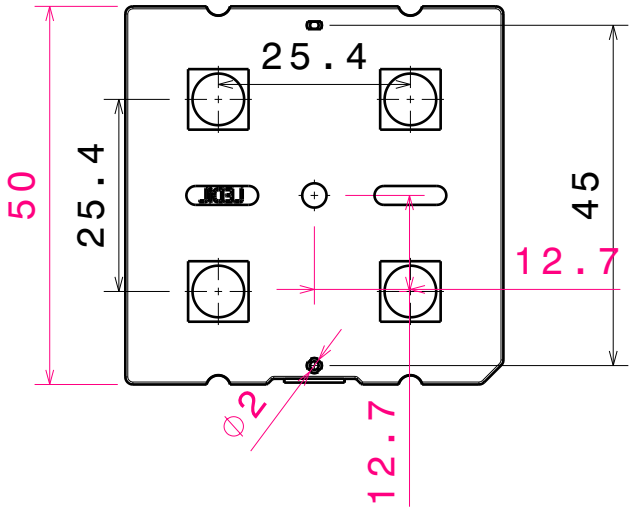


DATE
26.08.2021

4

4

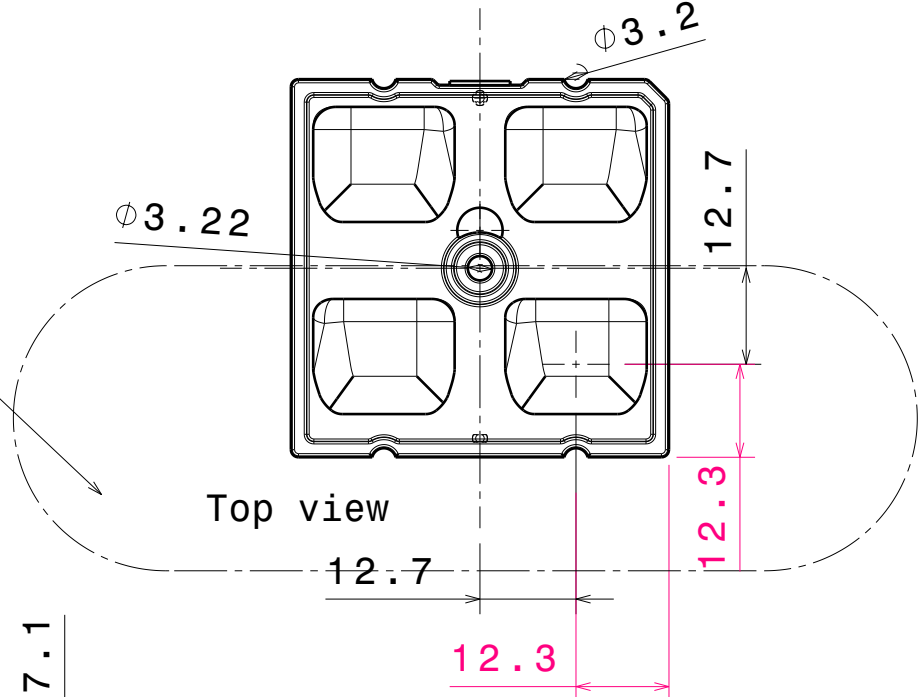


Bottom view

3

3

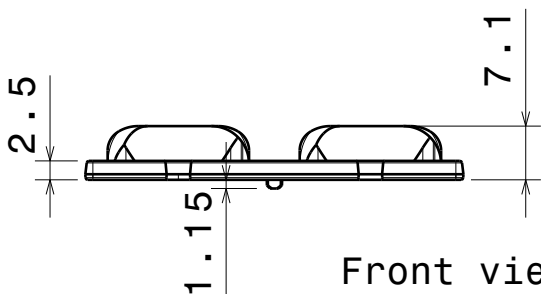
Beam Direction



Top view

2

2



Front view

INDEX	PART NO	DESCRIPTION	MATERIAL	COLOUR
1	C13299	STRADA-2X2-ME	PMMA	TRANSPARENT

Plastic moulding general tolerances according to DIN 16901-130 and applies if not otherwise shown in the drawing. Silicone moulding general tolerances according to ISO 3302-1 Class M3 and applies if not otherwise shown in the drawing.

LEDiL Ledil Oy
SALO
Finland

FIRST ANGLE PROJECTION:

DRAWING TITLE
C13299_STRADA-2X2-ME

This drawing is the property of LEDiL Oy. It may not be reproduced, copied or communicated without a written agreement with LEDiL Oy."

SIZE	PART NUMBER
A4	C13299

SCALE	1:1	WEIGHT	SHEET	1/1
-------	-----	--------	-------	-----

1

1

D

A